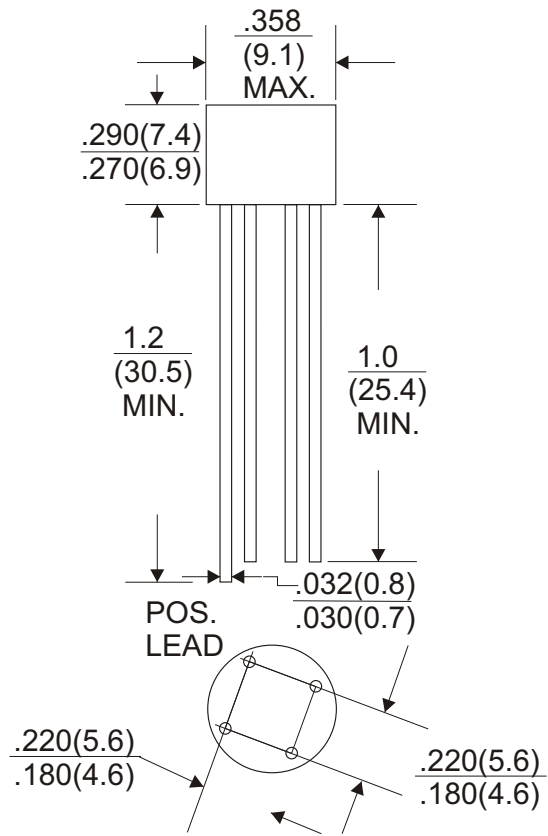


# WOL



Dimensions in inches and (millimeters)