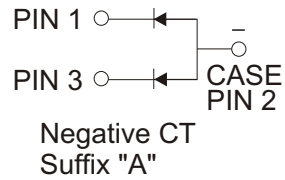
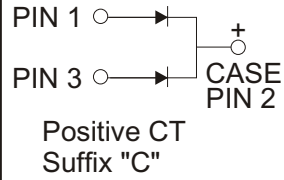
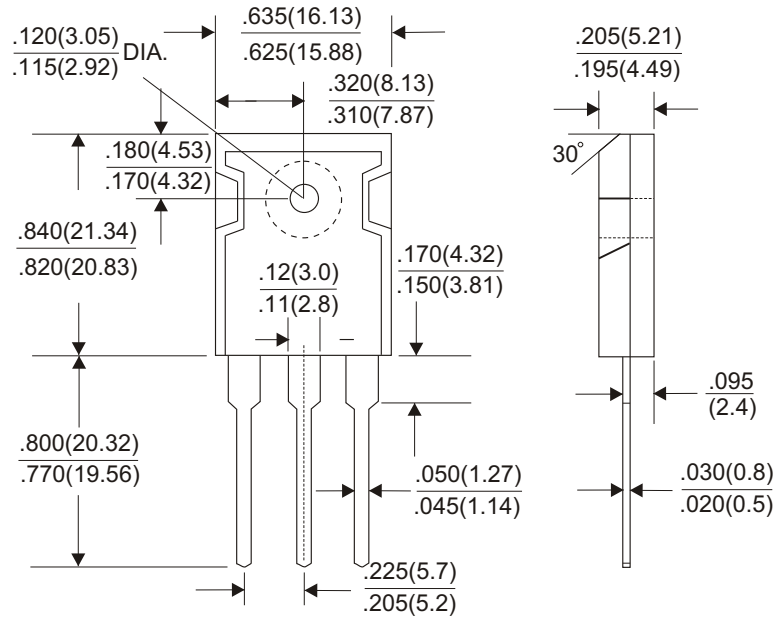


# TO-247



Dimensions in inches and (millimeters)