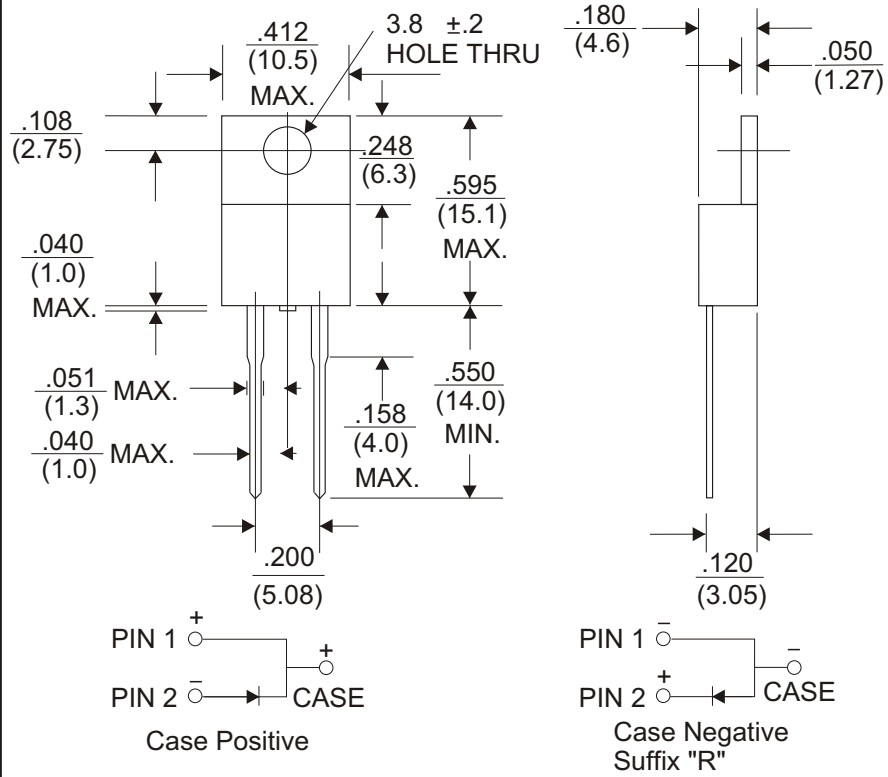


TO-220A



Dimensions in inches and (millimeters)