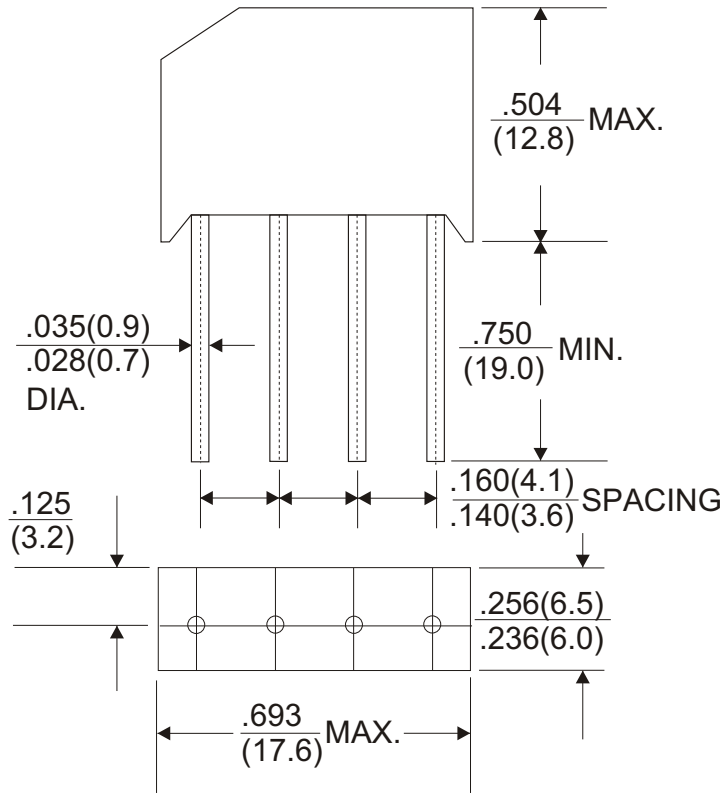


RS-2



Dimensions in inches and (millimeters)